

## Horizon Series All-In-One Solution

### Product Overview

Introducing the Touch Dynamic Horizon Series, a new ultra-slim panel PC. The ergonomic 11.6" Full HD advanced POS solution is designed for versatile business applications. Powered by the Intel® Celeron® Elkhart Lake CPU J6412, this system supports both Android 13 and Windows OS. Offering a seamless and adaptable user experience. With up to 32GB of high-speed DDR4 memory and a NVMe SSD for increased storage and performance, the Horizon Series ensures optimal speed and efficiency. The widescreen display with a resolution of 1920x1080 features an ultra-slim design at just 1.61" deep. You gain flexibility and customization by having access to 6 USB ports, convertible video outputs, and an adaptive dual hinge folding flat base. Ideal for a variety of industries, the Horizon Series offers wireless WiFi connectivity and multiple peripheral options for multifunctional use. Explore the possibilities with the Horizon Series.

### KEY FEATURES & BENEFITS

#### Reliable Performance

- ★ Intel® Celeron® Elkhart Lake CPU J6412
- ★ Supports Windows 11, Android 13 and Linux
- ★ Up to **32GB DDR4 memory**
- ★ Full HD **widescreen display 11.6"** (1920x1080 res)
- ★ True flat capacitive **multi-touch screen**
- ★ **Adaptive dual hinge** folding base for VESA mounting
- ★ Higher performance with **NVMe SSD**

#### Custom Configuration

- ★ Video outputs: **HDMI or VGA**
- ★ **Wireless WiFi** network connection available
- ★ Multiple peripheral options for **multifunctional use**

### DESIGNED AS AN IDEAL SOLUTION FOR:



Retail



Casino



Healthcare



Restaurant



AND MORE!

# Horizon Series

## All-In-One Solution

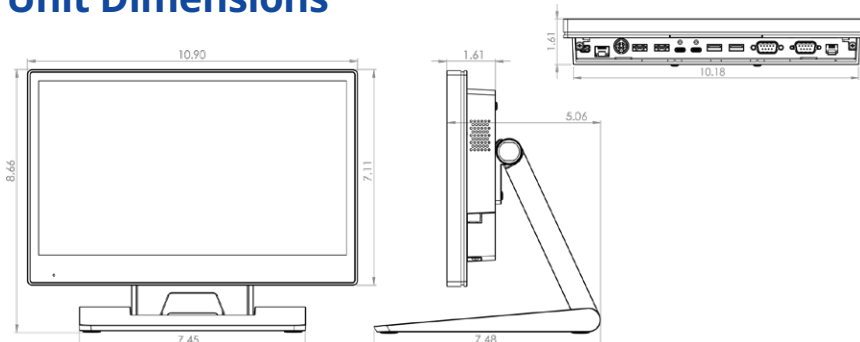


### Product Specifications

<b>Processor</b>	Intel® Celeron Elkhart Lake CPU J6412
<b>Memory</b>	1x DDR4 up to 32GB
<b>Storage</b>	1x NVMe M.2 SSD
<b>Graphic Engine</b>	Intel® UHD Graphics for 10th Gen Intel® Processors
<b>Supported OS</b>	Windows 11 GAC, Windows 11 Pro, Windows 10 IOT, Linux, Android 13
<b>I/O Ports</b>	2X USB 3.0, 2x USB 2.0 2X USB-C (data only) 1X custom miniDP convertible to HDMI or VGA 2X Serial DB9 with power option 1X RJ45 Gigabit LAN 1X RJ-11 1X 4-PIN Power Connector with Latch
<b>Audio</b>	1X Speaker
<b>Display</b>	Widescreen 11.6" 1920x1080 True-Flat PCAP Multi-touch
<b>Power</b>	65W / 19V
<b>Certificate</b>	FCC Class A, CE Mark Class A, LVD
<b>Environmental</b>	Operating: 0°C ~ 35°C ( 32°F ~ 95°F ) Storage: -20°C ~ 60°C ( -4°F ~ 140°F ) Humidity: 20% ~ 85% RH non-condensing
<b>Dimensions</b>	10.9" (W) x 8.66" (H) x 7.48" (D) with Base
<b>Weight</b>	3.1 lbs without Base, 5.5 lbs with Base
<b>VESA</b>	75 x 75mm
<b>Peripherals</b>	3-Track MSR Fingerprint Reader RFID PINpad Brackets, 2D Honeywell Barcode Scanner WIFI Camera

Product specifications and data are subject to change without notice.

### Unit Dimensions



### Default Configurations

Product Code	Description
<b>HZ11880NN-NNNMN2N</b>	Horizon, 8G Ram, 128G SSD, Win 10 IOT, Without Base
<b>HZ11880NN-NNNGN2N</b>	Horizon, 8G Ram, 128G SSD, Win 11 GAC, Without Base
<b>HZ11880NN-NNN1N2N</b>	Horizon, 8G Ram, 128G SSD, Win 11 Pro, Without Base
<b>HZ11880NN-NNNMN2H</b>	Horizon, 8G Ram, 128G SSD, Win 10 IOT, With Base
<b>HZ11880NN-NNNGN2H</b>	Horizon, 8G Ram, 128G SSD, Win 11 GAC, With Base
<b>HZ11880NN-NNN1N2H</b>	Horizon, 8G Ram, 128G SSD, Win 11 Pro, With Base

### I/O Interfaces



- 1. Custom miniDP
- 2. LAN
- 3. DC-IN
- 4. USB-A
- 5. USB-C
- 6. USB-A
- 7. COM
- 8. Cash Drawer



**CONTACT US TODAY!**